

DC single-channel
battery charger
for military
applications

SOLDIER PORTABLE CHARGER (SPC)



THE DENCHI POWER SOLDIER
PORTABLE CHARGER
- KEEPS YOUR ARMY
ON THE MOVE

The Denchi Power Soldier Portable Charger (SPC) is a world beating DC single-channel charger, designed for the most rugged military environment. Being a Level 3 Smart Charger (2-way communication), with high powered electronics, it can be used to charge any battery on the battlefield.

The SPC is a 'Power Scavenger', that can take power from a broad range of AC or DC power sources on the battlefield. This functionality provides an unparalleled and dependable power extraction capability which can serve soldiers at times when they need it the most.

The SPC is a true 'plug-and-play' product needing no tuning nor adjusting. It is delivered with a comprehensive set of output cable options which will allow it to re-charge any battery. It is truly a universal charger and the last small charger any force will need to procure.

This charger is one of the latest in a long line of successful Denchi Power products that have delivered powerful energy solutions to soldiers operating in active theatres. Denchi Power continues to develop the latest battery and charger technologies, to meet the evolving needs of military forces.



DENCHI
POWER

SOLDIER PORTABLE CHARGER

Part number: 231017
NSN: 6130-99-269-2863

The SPC is a 'Power Scavenger', that can take power from a broad range of AC or DC power sources. It is a true 'plug-and-play' product needing no tuning nor adjusting.

SPECIFICATIONS

Technical Data:

Input Voltage Range	10.5-40V DC, 100-240V AC 50-60Hz (With optional AC adapter)
Operating Temperature	-40 °C to +60 °C
Efficiency	93% (nominal)
Max. Output Charge	6A
Length	115 mm
Width	83 mm
Height	43 mm
Weight	509 g
IP Rating	IP67
Application	Dismounted soldier

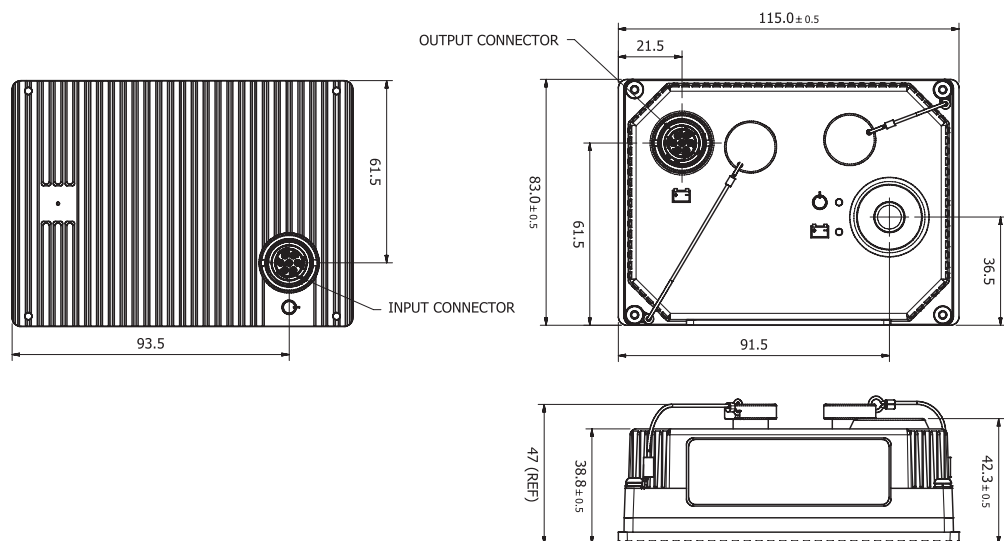
Safety Features:

- Input over-voltage protection
- Reverse polarity protection
- BIT on power up
- To EN 60335-2-29

Features & Benefits:

- Soldier portable level 3 smart charger
- Robust & lightweight
- Accepts DC input from all in-field power sources, incl solar panels; field generators; other batteries
- AC mains adapter available
- Charges an 8Ah battery in less than 2 hours
- Automatic detection & charging of all in-field secondary SMART batteries (up to 8 Li-ion cells in series or up to 33.6V DC)
- Optimises charging with available (current limited) input
- Allows simultaneous charge & power supply
- High efficiency DC-DC architecture
- Charging of non-SMART batteries—up to 33.6V DC (via optional SMART cables)
- Shock vibration to Mil Standard 810F
- EMC to Mil Standard 461E

Dimensions:



Denchi Power Ltd
Denchi House,
Thurso Business Park,
Thurso, Caithness,
KW14 7XW, UK
Tel: +44 (0) 1847 808 000
E: enquiries@denchipower.com