

Rechargeable
Lithium-ion battery
for military
applications

KEY VARIABLE MANAGEMENT SYSTEM (KVMS) BATTERY 2.28AH



THE DENCHI POWER KVMS
LITHIUM-ION BATTERY PACK
- KEEPS YOUR ARMY
IN COMMUNICATION

The Denchi Power KVMS is a powerful Smart battery, incorporating the latest in Lithium-ion cell technology. It provides high capacity and benefits from Denchi Power's strong heritage of developing and delivering batteries for use in the most extreme conditions for both military and aerospace applications.

The Denchi Power KVMS battery is the latest in a line of similar batteries with ever increasing capacity and is designed and manufactured for use on the BOWMAN Fill Gun Encryption Device. The standard battery format has a rugged connector interface that ensures the battery can be re-charged from any Level 3 Smart Charger. It offers a cost effective, re-chargeable solution for battlefield use, which is simple and reliable to use.

This battery is one of the latest in a long line of successful Denchi Power products that have delivered powerful energy solutions to soldiers operating in active theatres. Denchi Power continues to develop the latest battery and charger technologies, to meet the evolving needs of military forces.



DENCHI
POWER

KEY VARIABLE MANAGEMENT SYSTEM (KVMS) LITHIUM ION BATTERY

Part Number: 431761
NSN: 6140-99-272-3035

SPECIFICATIONS

Technical Data:

Technology	Lithium-ion
Nominal Voltage	7.2 V
Nominal Capacity	2.28Ah
Operating Temperature	-30C to +70C
Storage Temperature	-30C to +70C
Length	103mm
Width	50mm
Height	26.2mm
Weight	<150g
Application	Fill Gun Encryption

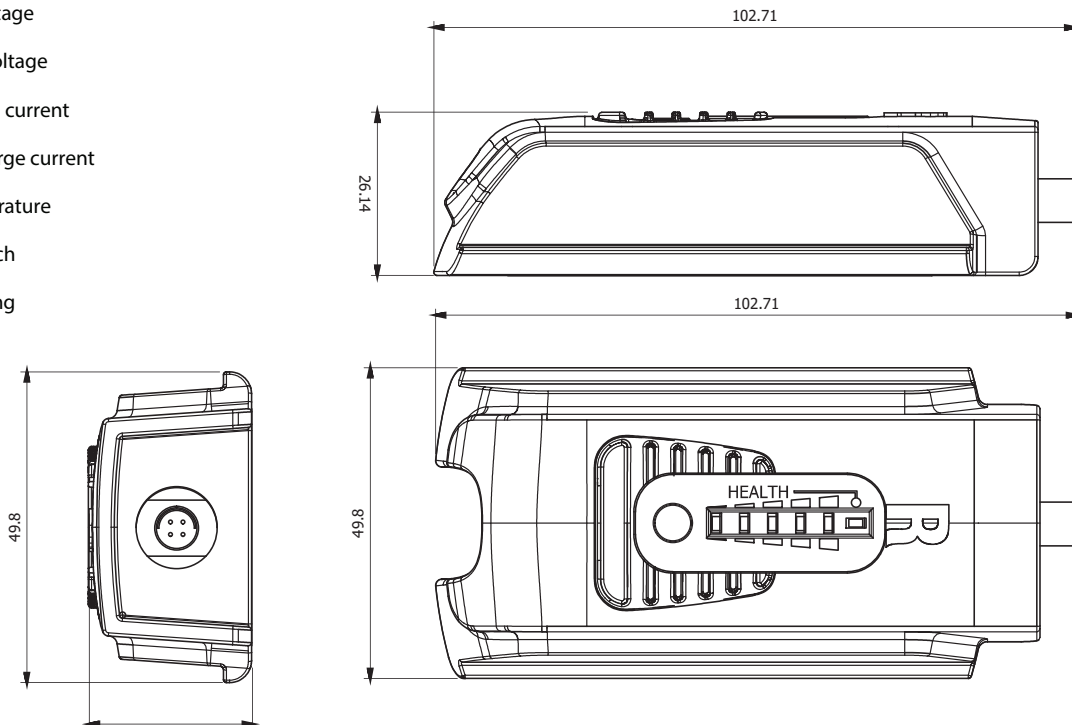
Features & Benefits:

- Extended battery life
- Incorporates SM Bus Communications
- LCD state of charge/state of health indicator
- Improved cycle life
- Increased capacity
- Rapid charging capability – full charge from ACCU within 4.5 hours
- Lightweight
- Waterproof
- RoHS compliant

Safety Features:

- Cell overvoltage
- Cell undervoltage
- Over-charge current
- Over-discharge current
- Over-temperature
- Cell mismatch
- Cell balancing

Dimensions:



Denchi Power Ltd
Denchi House,
Thurso Business Park,
Thurso, Caithness,
KW14 7XW, UK
Tel: +44 (0) 1847 808 000
E: enquiries@denchipower.com