

Rechargeable
Lithium-ion battery
for military
applications

VHF PORTABLE TRANSCEIVER (VPT) BATTERY 9.12AH

THE DENCHI POWER VPT LITHIUM ION BATTERY PACK - KEEPS YOUR ARMY IN COMMUNICATION

The Denchi Power VPT is a powerful Smart battery, incorporating the latest in Lithium-ion cell technology. It provides high capacity and benefits from Denchi Power's strong heritage of developing and delivering batteries for use in the most extreme conditions for both military and aerospace applications.

The Denchi Power VPT battery is the latest in a long line of similar batteries with ever increasing capacity and is designed and manufactured for use on the BOWMAN VHF manpack radio. The standard battery format has a rugged connector interface that ensures the battery can be re-charged from any Level 3 Smart Charger. It offers a cost effective, re-chargeable solution for battlefield communications, which is simple and reliable to use.

This battery is one of the latest in a long line of successful Denchi Power products that have delivered powerful energy solutions to soldiers operating in active theatres. Denchi Power continues to develop the latest battery and charger technologies, to meet the evolving needs of military forces.



DENCHI
POWER

VHF PORTABLE TRANSCEIVER (VPT) LITHIUM ION BATTERY

Part Number: 431854
NSN: 6140-99-316-3965

SPECIFICATIONS

Technical Data:

Technology	Lithium-ion
Nominal Voltage	14.4 V
Nominal Capacity	9.12Ah
Specific Energy	110Wh/Kg
Operating Temperature	-40C to +71C
Storage Temperature	-50C to +71C
Length	185mm
Width	70mm
Height	52mm
Weight	1.25 Kg
Max Discharge Current	6 Amps
Application	Portable Communications

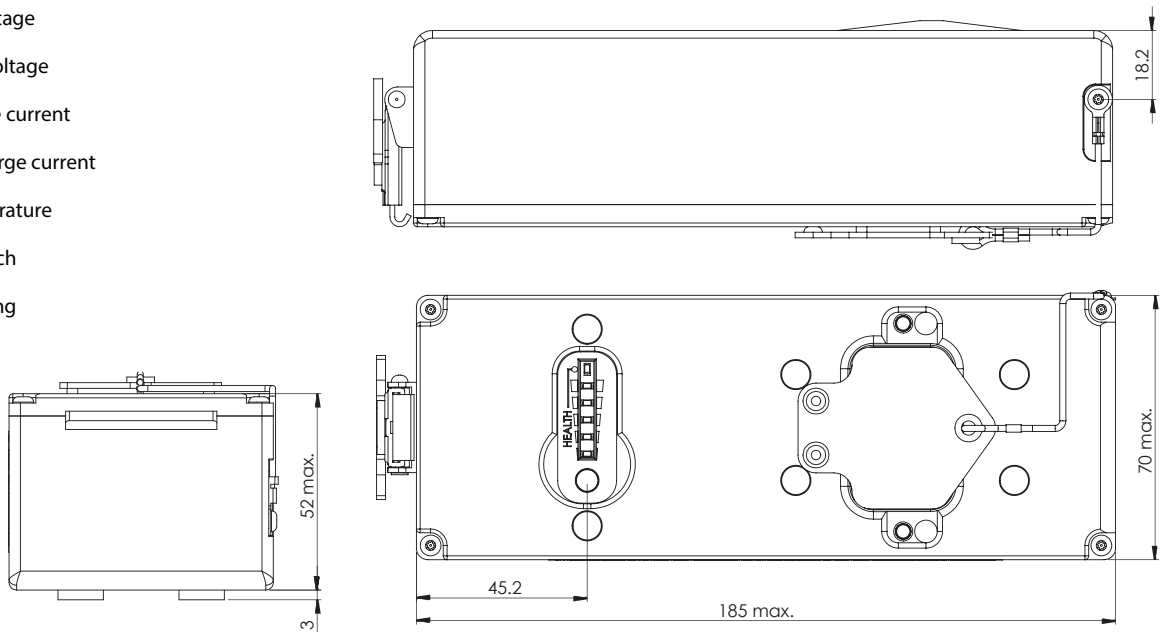
Features & Benefits:

- Extended battery life
- Incorporates SM Bus Communications
- Improved internal power management
- LCD state of charge/state of health indicator
- Improved cycle life
- Increased capacity
- Rapid charging capability – full charge from ACCU within 4.5 hours
- Lightweight
- Waterproof
- RoHS compliant
- High Specific Energy
- Auxiliary charge connector (optional extra)
- Low battery alarm

Safety Features:

- Cell overvoltage
- Cell undervoltage
- Over-charge current
- Over-discharge current
- Over-temperature
- Cell mismatch
- Cell balancing

Dimensions:



Enersys_ABSL_VPT_Lithium-ion_Battery_Pack_August_2013_V01_EN



Denchi Power Ltd
Denchi House,
Thurso Business Park,
Thurso, Caithness,
KW14 7XW, UK
Tel: +44 (0) 1847 808 000
E: enquiries@denchipower.com