

DL16

CAPLAMP SYSTEM

WITHOUT COMPROMISE

INSTRUCTION MANUAL

WARNING

This manual, including the warnings and cautions inside, must be read and followed carefully by all persons who use or maintain this product, including those who have any responsibility involving its selection, application, service, or repair.

This cap lamp system will perform as designed only if used and maintained according to the instructions, otherwise it could fail to perform as designed and persons who rely on this product could sustain serious personal injury or death.

DL16 CAP LAMP SYSTEM



TABLE OF CONTENTS

Important	p3
General description	p3
Preparation for use	p3
<i>Battery charging</i>	<i>p3</i>
Cap lamp system	p4
<i>Battery Storage</i>	<i>p4</i>
<i>Replacing battery</i>	<i>p4</i>
<i>Removing cable from battery</i>	<i>p4</i>
<i>Replacing battery cover</i>	<i>p4</i>
Using DL16 cap lamp systems	p4
<i>Repairing headpiece</i>	<i>p5</i>
<i>Replacing cable</i>	<i>p5</i>
<i>Replacing reflector</i>	<i>p5</i>
<i>Replacing circuit board</i>	<i>p5</i>
<i>Reassembling bezel ring</i>	<i>p6</i>
<i>Replacing the Lock Barrel</i>	<i>P6</i>
DL16 diagram – Item list	p7
Parts diagram	p8
Troubleshooting	p10
Use of Equipment	p11
Special Conditions for Safe Use	p12
Appendix: Commissioning & Charging Instructions	p13

IMPORTANT

Pay close attention to Warnings and Cautions in this manual.

A WARNING describes a condition that may cause severe personal injury or death if allowed to happen.

A CAUTION describes a condition that may cause moderate injury or property damage if allowed to happen.

GENERAL DESCRIPTION

The DL cap lamp systems consists of a cap mounted headpiece powered by a Li Ion battery.

The basis of the headpiece in which some of the internal connections are integral is as follows:

A selector switch is incorporated, which can switch on either the main LED light source or the small emergency LED. The reflector fits over the small LED and has a rubber gasket around the rim to seal against the headpiece lens.

PREPARING THE DL6 CAP LAMP FOR FIRST TIME USE

The battery is packaged separately to the lamptop and needs to be connected before use.

Tool kit required is 206008

NOTE: THE BATTERY IS TRANSPORTED IN A PARTIALLY CHARGED CONDITION - EVERY BATTERY MUST BE FULLY CHARGED BEFORE FIRST USE.

Remove the battery from the shipping box and check for damage. The battery is supplied with the encapsulated fuse fitted, terminal nuts and washers.

Remove the nut and washer from the positive end of the fuse (marked +). Place the ring terminal of the red wire onto the terminal post, replace the spring washer and nut, and tighten to 0.5Nm.

Remove the nut and washer from the negative terminal (not connected to the fuse) and place the ring terminal of the black wire onto the terminal post, replace the spring washer and nut, and tighten down to 0.5Nm.



Hook the cable exit end of the battery cover onto the battery.

Check that the cables are not trapped under the edge of the cover then press down into position.

Secure the cover in place with the clip and M4 mushroom head socket screw.



➤ Battery charging

WARNING

Li Ion batteries must only be charged on a specific charger with a Li Ion charge profile. Use of unapproved chargers may result in damage to the caplamp's battery protection circuit.

For charger information and how to convert existing charger software please consult the Caplamp Charger Manual.

Every battery must be charged before it is used for the first time.

Never discharge completely!

IMPORTANT NOTE:

The battery is supplied with a factory fitted "OCBL-T" fuse (203500), required for protection of the internal battery circuitry. Use of any other fuse type could result in damage and will invalidate any warranty claim.

Charging before first use:

1. Allow the battery to remain on charge for 24 hours.
2. After a working shift, the battery should be placed on the charger, following the instructions included with the charger, and left to charge. The charger automatically switches off when the battery is completely charged
3. If cap lamp needs cleaning, use a mild detergent and wipe. Do not submerge in water.

(see appendix – pg.12 - for full commission & recharge instructions)

➤ **Battery Storage**

All stored batteries should be given a 24-hour boost charge 3 months after receipt and thereafter at 6-monthly intervals until use, where they should again be fully charged before being placed into regular service.

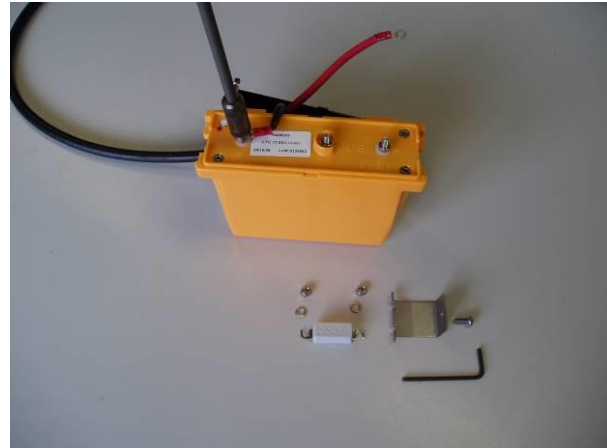
Recommended storage temperature: 0°C to 27°C.

➤ **Replacing battery**

1. Remove one M4 button head socket screw from the end clamp holding the cover as shown.



2. Un-clip the clamp and slide off the cover to cable end.
3. Remove the positive cable lead (red)
4. Remove the fuse
5. Remove the negative lead (black)



➤ **Replacing battery cover**

1. Replace the fuse; fit the nuts to hold the fuse in place
2. Connect the red cable to the positive battery terminal.
3. Connect the black cable to the negative battery terminal to ensure correct polarity.
4. Tighten the cable leads down with terminal nuts to 0.5Nm.
5. Replace the battery cover.
6. When the fuse is removed the safety circuit will activate. Place battery on charge before use.

Note:

Ensure that the cable leads lie properly on the battery top without being trapped or pinched.

USING THE DL16 CAP LAMP SYSTEM

The DL headpiece is made up of the lamp-housing which contains the following parts:

- Bezel (ring)
- Lens (glass)
- Gasket
- Reflector
- Main LED
- Secondary LED
- Circuit board and switch

The on-off-on switch knob is located on the headpiece. The down position operates the main LED and up position the secondary LED.

➤ Repairing the headpiece

TOOLS:

G & D type spares and tools kit – 206008

D type Headpiece fastening & cable lock kit - 201536

The switch should be placed in the off position and the battery fuse removed (**see section “cap lamp system”**) before disassembly of the headpiece.

➤ Replacing Cable

1. Remove the cable from the battery terminals.
2. Cut the cable tie around the cable under the battery cover and pull the cable out from the battery cover gland.
3. Unscrew the M3 socket head mushroom screw from the headpiece cable lock.
4. Use a small screw driver to “flick” the cable lock off the retaining boss. Take care not to lose the o-ring under the boss as this is required for reassembly.
5. **Replace the mushroom head socket screw. This is important to ensure the circuit board support in the headpiece does not become loose.**
6. Hold the lens glass down while unscrewing the bezel ring.
7. Remove the lens glass and reflector.
8. Unscrew the 2 off M3 slotted screws.
9. Remove the cable
10. To replace the cable reverse the above procedure.

Note:- Always ensure that one screw is fixed into the positive cable terminal or the cable lock. This ensures the circuit board support does fall out of position.

WARNING

It is essential that all contacts in the headpiece are tight, so that no electrical resistance is incurred which might increase the time necessary to obtain an efficient charge or possibly reduce the light output of the lamp.

➤ Replacing the reflector

1. Remove the bezel ring and lens.
2. Remove the reflector
3. Remove gasket around reflector.
4. Place the gasket around the new reflector. The reflector is located by two projections which fit either side of the main LED; the hole in the reflector goes over the secondary LED



The bezel ring should be screwed down firmly while holding the glass down with your thumb.

5. Reassemble the lens and bezel ring (see “Reassembling the bezel ring”).

➤ Replacing the circuit board

The LE CC driver circuit board can be replaced in the event of damage to the switch or electronic failure of the board. This procedure should be carried out by a person with experience of soldering on small circuit boards.

1. Remove the cable as described above
2. De-solder the wire connections to the LED at the circuit board.
3. Carefully bend the cables away from the circuit board.
4. Use an open ended spanner 206002 to remove the nut securing the switch. Remove the washer and rubber backed sealing washer.



5. Pull the old circuit board out from the front of the main housing.
6. Put a 10mm spacer in the positive hole before replacing the board.

7. Replace the circuit board, pull in the threaded switch boss to ensure it is fully located in the socket at the back of the headpiece housing. Ensure the circuit board is correct.
8. Replace the sealing washer and nut, tighten with the open ended spanner.
9. Re-solder the wires from the main LED.
10. Replace the cable and reassemble the reflector, lens and bezel ring.

➤ **Reassembling the bezel ring**

1. When the lens is in position over the reflector, the bezel ring is screwed onto the headpiece housing, and locked in position by the stainless steel cable lock.
2. Ensure the cut-outs in the bezel ring line up with the cable lock.
3. Hook the cable lock into the slot under the cap hook support. Press down so the cable is in position, replace the o-ring and then clip over the boss on the side of the headpiece.
4. Secure with M3x10 mushroom-head screw.



➤ **Replacing the lock barrel**



If the lock barrel is damaged it may become difficult to connect the lamp to the charger. In this case, the lock barrel must be replaced (201538 – lock contact spares kit).

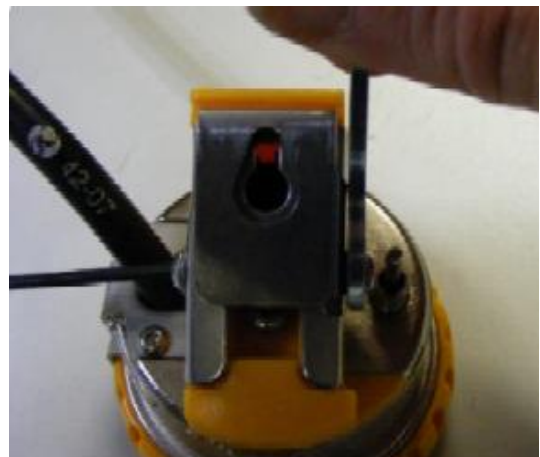
1. Undo the M4 lock nut and remove the dome-head screw that runs through the charging contact housing.
2. The metal cap-clip can be lifted off and set to one side (take care not to lose the spring clip).



3. Remove the lock barrel and ensure that the charging contact housing is clear of any debris before inserting the replacement lock barrel.



4. Holding the lock spring in position, refit the cap-clip cover, insert the dome-head screw and re-tighten the M4 lock nut.



DL16 Expanded Diagram, Tools and Spare Parts List

200000 (M261551)

DL16 caplamp (complete)

201000

D-type Lamptop complete
(with cable and battery cover)

201000 (M261951)

L16 Type battery

201526 (M259121X)

Bezel ring (D-type)

201504 (M200131X)

Glass lens

201508 (M200411X)

Sealing channel

201527 (M259127X)

Reflector (D-type)

201529 (M259383)

LED CC circuit board

201540 (M260116)

Cable 1.6m (D-type)

203500 (M455323FX)

Fuse (type OCBL-T)

201536 (M259683)

D-Type Headpiece Fastening & Cable Lock kit

201524 (M205083)

D and G Cable Terminal Spares kit

201520 (M204683)

D and G Lock Contact Spares kit

201521 (M204783)

D and G Cap-clip Spares kit

201545 (M455045)

Plastic Battery Cover (complete)

Clip for standard cover

Screw for plastic cover

Cable gland

Cable tie

206008 (M614830)

Small tools and spares kit, suitable for all "G" and "D" type lamps comprising :-

Cable outlet gland key

Allen key for headpiece lock pin

Insulated screwdriver

Spring screwdriver

Spanner for L16 battery terminal nuts

Spanner for D-type switch

Two "OCBL" battery fuses

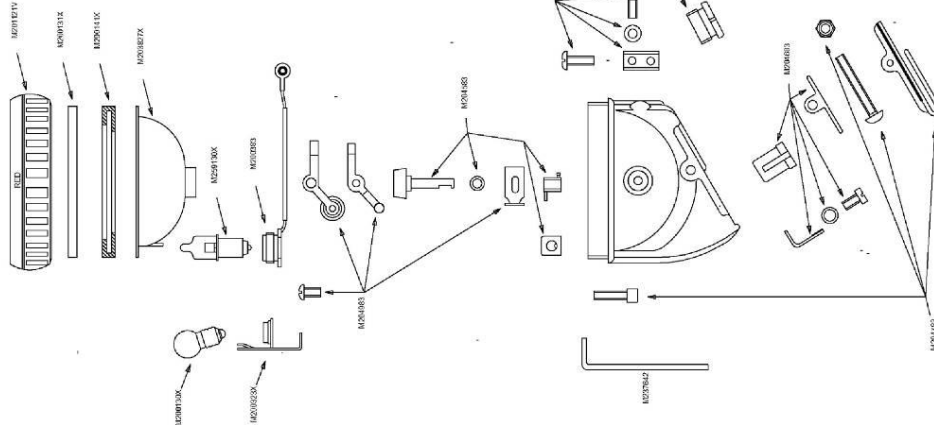
Note: Only certain replacement items above may be purchased individually. All others, as noted above, must be purchased in kit form as this ensures that other associated parts are also available for replacement at the same time as part of an appropriate preventative maintenance programme.

IF IN DOUBT ASK

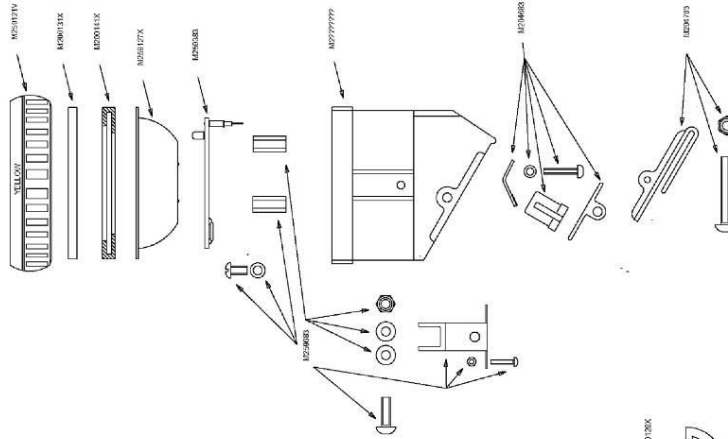
DO NOT SCALE

THIRD ANGLE PROJECTION

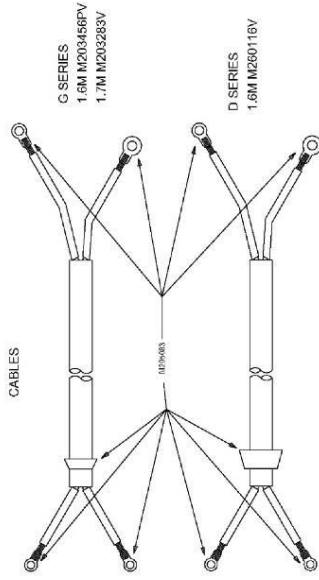
G SERIES



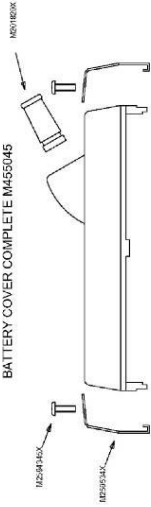
D SERIES



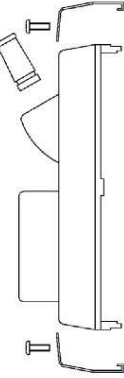
CABLES



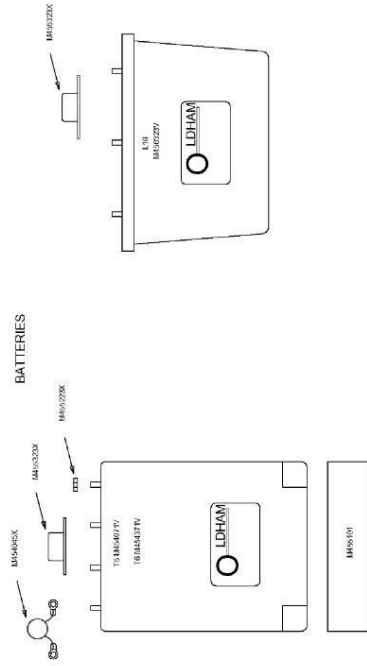
BATTERY COVER COMPLETE M455045



BATTERY COVER WITH POWER TAKE-OFF M456223



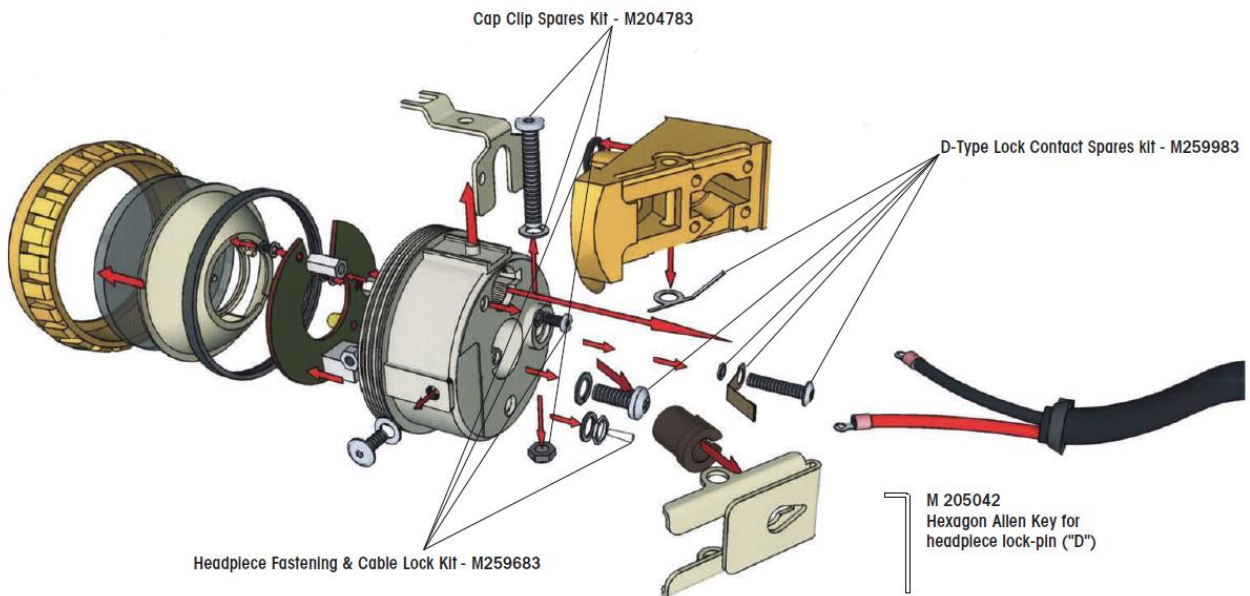
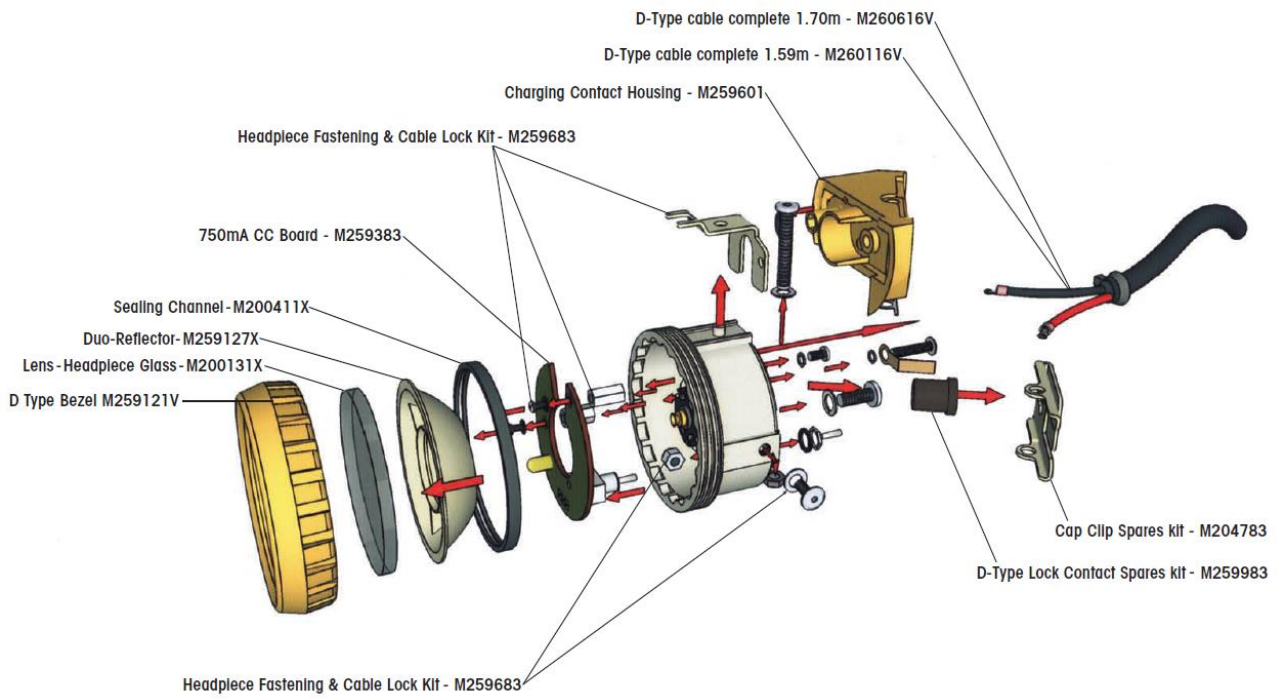
BATTERIES



GENERAL INFORMATION		SPECIFICATIONS		DIMENSIONS		WEIGHTS	
Model	Power (kW)	Power (kVA)	Frequency (Hz)	Length (mm)	Width (mm)	Height (mm)	Net Weight (kg)
M455045	1.6	2.0	50	1100	400	500	110
M456223	1.6	2.0	50	1100	400	500	110

THE INFORMATION CONTAINED HEREIN IS FOR INFORMATIONAL PURPOSES ONLY. IT IS SUBJECT TO CHANGE WITHOUT NOTICE. CONTACT YOUR LOCAL SALES REPRESENTATIVE FOR THE MOST CURRENT INFORMATION.

DENCHI POWER LTD. 10000 W. 104TH AVENUE, SUITE 100, DENVER, CO 80231



TROUBLESHOOTING

PROBLEM	CAUSE
<p>LED is dim or fails to light</p> <p>1) Both LED's are dim / fail to light 2) Main LED is dim / fails to light</p>	<p>1. Loose connections:</p> <p>a. Check the connections on the top of the battery to make sure they are tight.</p> <p>b. Check the headpiece terminals and the electrical connections inside the headpiece in the same manner as those on the battery.</p> <hr/> <p>2. Loose connections:</p> <p>a. Gently wiggle or pry each connection on top of the battery to make sure it is tight and working properly.</p> <p>b. Check the cables for broken conductors by twisting or pulling it at various points along its length.</p> <p>c. Check the headpiece terminals and the electrical connections inside the headpiece in the same manner as those on the battery.</p> <p>d. Make sure the bulb is secure and making good contact.</p> <p>e. If the light flickers or dims when any of the preceding items are being checked, that item should be repaired or replaced.</p>
<p>Battery appears "dead" and will not operate</p>	<p>a. Check that the fuse has not blown</p> <p>b. Check the cross volts of the battery, if no voltage is recorded the Safety Circuit has activated either because the fuse has been disconnected or blown or the battery has been over discharged.</p> <p>c. After checking continuity across the fuse, place battery on charge (switched off) and leave for 10 seconds. Disconnect then reconnect, the charger should then initialise the charge regime and the battery will recharge normally.</p>
<p>Battery capacity</p>	<p>a. The 9Ah battery is designed for 8-hour operation and the 16 Ah Li Ion battery is designed for 12 hour operation. Failure to achieve this is probably due to a high resistant joint in the circuit.</p> <p>b. Check Headpiece charging connections</p> <p>c. Check charger.</p> <p>d. Check battery connections.</p>

IMPORTANT : ALWAYS RECHARGE THE LAMP AFTER USE.

ENSURE THAT ONLY CHARGERS WITH THE CORRECT LI-ION CHARGE PROFILE ARE USED.

Certification and equipment marking and instructions:-



Lamp Type Nomenclature Reference:-

The lamp nomenclature indicates the battery, battery cover and headpiece type that are combined to make the complete caplamp.

The full designation is DPL16, but since battery covers are now only available in plastic, the designation is commonly abbreviated to DL16.

The assembly combination should not be changed without consultation of Denchi Group Ltd., Caithness, Scotland.

The type code sequence is as below:-

1	2	3
<i>Headpiece type</i>	<i>Battery Cover type</i>	<i>Battery type</i>
D Standard	P Plastic Cover	L16 Li Ion Battery
A ATEX M1	L Hand Lamp	E16 Li Ion Battery ATEX M1
	R Remote Take Off	

Sample type code:- **1 2 3**
D P L16

Use of equipment:-

The user must ensure that the lamp supplied meets the safety standard required for the work environment, with specific note to Zoned or Hazardous designated areas:-

1. Check that the operating temperature range is in the range 0°C to +40°C for Mining.
2. The lamp must not be disassembled in any hazardous area.
3. The lamp must not be charged in any hazardous area.
4. The battery casings are manufactured from polycarbonate and ABS with nitrile rubber seals. The performance of these materials, with respect to attack by aggressive substances that may be present in the operating environment shall be taken into account before the equipment is used.
5. Plastic surfaces may cause propagating brush discharges. Propagating brush discharges are caused by non-conducting fluid flow over a non-conducting plastic surface. The cap lights shall not be used in areas where a high fluid flow over the plastic surfaces may occur (for example in the case of a ruptured process pipe or compressed air pipe).

Special Conditions for Safe Use:

There are no special conditions stipulated.

Denchi Group Ltd.

Denchi House, Thurso Business Park,
Thurso, Caithness, KW147XW

URL: www.oldhamcaplamps.com
Email: enquiries@denchigroup.com
Tel.: +44 (0)1847 808000

November 2023

Appendix – LITHIUM-ION BATTERY COMMISSIONING & CHARGING INSTRUCTIONS

The Oldham D-type and A-type (LED) cap lamps are designed to operate at full light intensity for a full 12-hour shift. At the end of each shift the lamp should be recharged on an approved Oldham micro-processor caplamp charger.

Note: To comply with IATA transport regulations, all li-ion batteries are shipped in a 30% state of charge condition and will require a full 12-hour charge before being put into service

For 12-hour operation, the charger types 204001 or 204002 for the L16 & E16 batteries are recommended (2-channel lamp & 10-channel chargers respectively).

PREPARING THE CAP LAMP FOR FIRST TIME USE: DL16 and AE16 lamps

The lamptop and battery are shipped unassembled to comply with international transportation regulations.

Tools required to assemble the lamp are an M4 for nut spinner for the battery terminals, and a 2.5mm Allen socket key to secure the battery cover. (available in our "Small Tools and Spares Kit" part no. 206008).

Assembly of the DL16 and AE16 lamps.

1. The fuse is pre-fitted to the battery.
2. From the lamptop supplied, fasten the red cable to "+" positive terminal and the black cable to the negative "-" terminal with the washer and M4 nut, tightening to 0.5Nm
3. Hook the battery cover onto the battery at the negative end and press down ensuring the cable is not trapped. (NB./ see picture – battery face/label toward you, cable should exit to the left)
4. Secure with the clamp at the positive end and lock with the M4 Mushroom headed socket screw.



Battery charging

1. Every battery must be charged before it is used for the first time.
2. Insert the headpiece over the charging key (headpiece held upside-down), and rotate the lamp clockwise (approx. 2/3rd of a turn) until it can not turn any further, making +/- contacts.
3. Allow the battery to remain on charge for 12-24 hours. **Note:** Batteries which do not perform satisfactorily, should be removed from service and subjected to a cycle charge process: charge for 16 hours and discharge for 8 hours. Repeat several times until battery responds.
4. If battery does not respond after three or four cycles, it should be replaced.
Never discharge completely!
5. Lamps should be recharged each time after use, but after weekly shifts have been completed, the battery should be placed on the charger (following the instructions included with the charger) and left to charge for the remainder of the weekend.
6. Oldham microprocessor chargers provide a maximum 4.20v / 1.0A to the lamp for recharge. USB style chargers delivering 5.0V / 1.0A may be used satisfactorily with the understanding that cycle-life will be diminished and warranty is invalidated

If the cap lamp needs cleaning, use a mild detergent and wipe. Do not submerge in water.



STORAGE OF BATTERIES

Lithium-ion batteries have excellent shelf-life with very slow rates of self-discharge. However, in order to maintain optimum condition, all stored batteries should be boost charged for 24 hours every 6 months, and again immediately before being placed into regular service.

Recommended storage temperature range: 32° F to 80° F / 0° to 27° C.

NOTE: Oldham multi-stage microprocessor controlled chargers have been programmed with a charge profile which is specifically designed to achieve maximum cycle life in the Oldham range of lithium-ion powered caplamps. Operators may choose to recharge their lamps on non-approved constant potential (voltage) chargers or other equipment, but daily operation and total cycle-life may be affected.

Denchi Group Ltd. will not accept any warranty claim against lamps used on non-approved chargers