



## BB2590 LITHIUM-ION BATTERY BENCH CHARGER

### Keeps your army on the move

The Denchi BB2590 Bench Charger is a reliable lightweight workhorse designed for those applications when battery charging on the bench or in a workshop is needed. It is designed to charge all versions of the common BB2590 battery and has all of the necessary control electronics to accommodate this task.

The Bench Charger accepts both the standard European 240 Volt AC Input, as well as the US 110 Volt Input. It can be supplied with a number of Input cables allowing it to be used in any theatre and to be plugged in to any AC mains source.

This charger is one of the latest in a long line of successful Denchi products that have delivered powerful energy solutions to soldiers operating in active theatres. Denchi continues to develop the latest battery and charger technologies, to meet the evolving needs of military forces.

**PART NUMBER:**

210510

**NATO STOCK NUMBER:**

6130-99-156-2272



UK MOD © Crown copyright

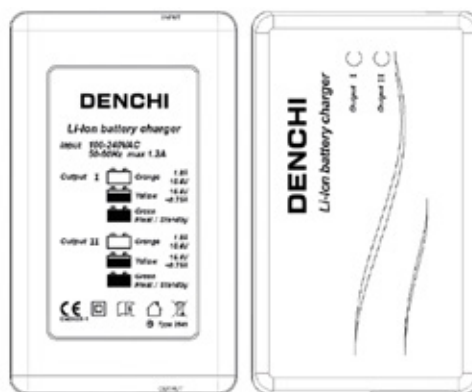
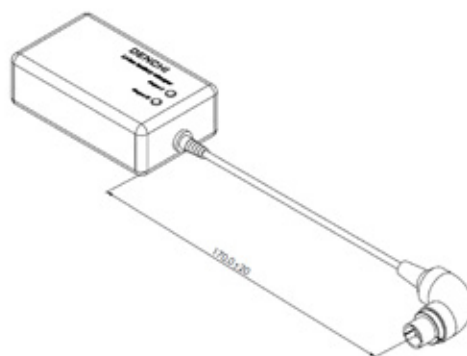
### FEATURES & BENEFITS

- 3-step charge control with current detection as charge termination
- Switch mode charger with universal input voltage (90–264VAC)
- 2-pin IEC 320
- Mounting bracket available
- Mains cord and AC plugs supplied to suit UK, Europe or US standards
- BB2590 Battery terminal mating plug
- Protected against reversed polarity & short circuit

## TECHNICAL DATA

Technology	Charger
Input AC Voltage	90–264 V2-pins IEC 320
Max Output Power	60W
Max Output Charge	1.8A
Efficiency (100% @230v)	82%
Line Frequency	47–63 Hz
Height	44 mm
Width	80 mm
Length	135 mm
Weight	390 g
<b>Charge Control</b>	
Charge Current (Orange)	1.8 A ± 0.1A
Charge Voltage	16.8 ± -0.1V
Charge Current (LED Yellow)	800mA + -15%
Charge Current (LED Green)	250mA + -20%
IP-Grade	41
<b>Safety</b>	
	EN60601-1 EN60335-2-29 EN60950-1
Reliability (MIL-HDBK- 217F)	MTBF>150.000h at 30°C and full load
<b>EMC Standards</b>	
Medical	EN 60601-1-2
Immunity	EN 61000-6-1
Emission	EN 61000-6-3
Output Terminals	Cord with plug suitable for connecting to BB-2590
<b>Temperature Range</b>	
Operating	-25°C to +40°C
Storage	-25°C to +85°C
Application	BB-2590 Charger

## DIAGRAMS



UK MOD © Crown copyright

# DENCHI

©2024 Denchi Group All rights reserved

enquiries@denchigroup.com  
+44 (0) 1847 808 000

Denchi House, Thurso Business Park,  
Thurso, Caithness, KW14 7XW, UK